

TECHNICAL REQUIREMENTS:

Design standard: AS/NZS 1841:5

Stored Pressure: 1350KPa

Working Pressure: 1350KPa

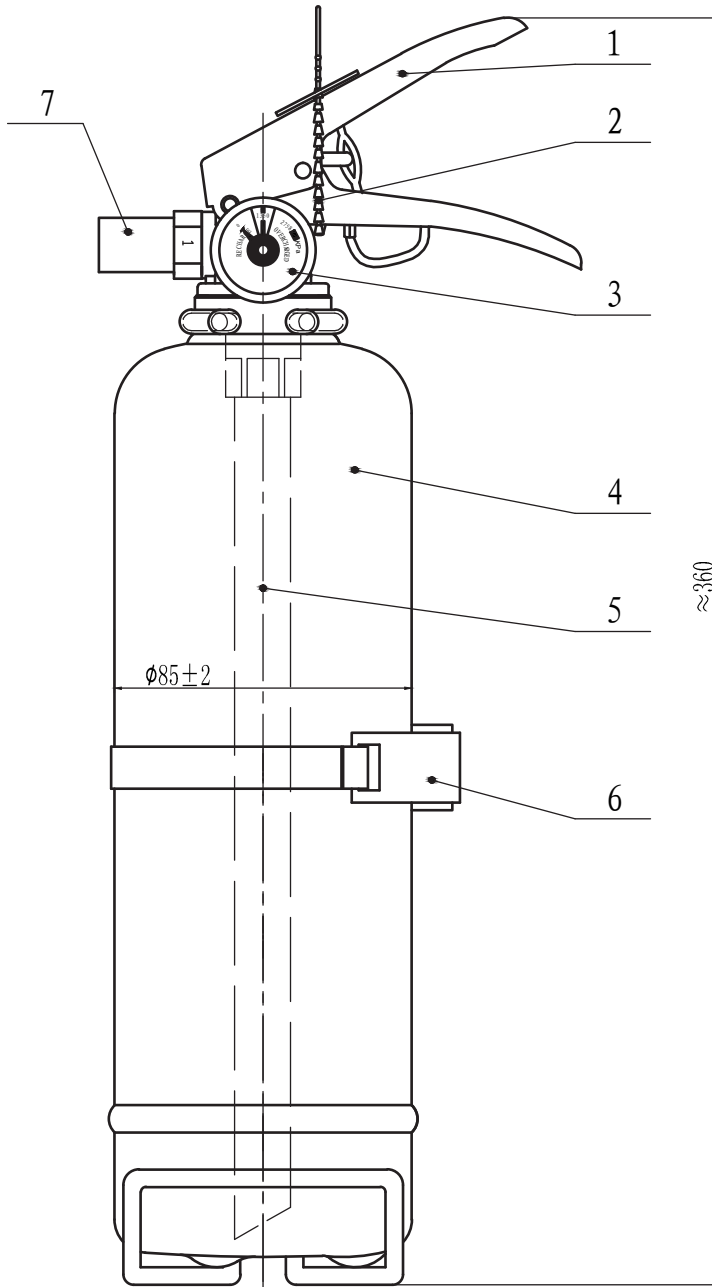
Charge: ABC multi-purpose dry powder

Material: Steel

Finish: Epoxy polyester glossy red

Nozzle Material: Nylon 6

Valve: Blasting nickel plating brass



- 1 Valve Assembly
- 2 Tamper Seal
- 3 Pressure Gauge
- 4 Cylinder
- 5 Pick-Up Tube (246mm)
- 6 Bracket
- 7 Nozzle

