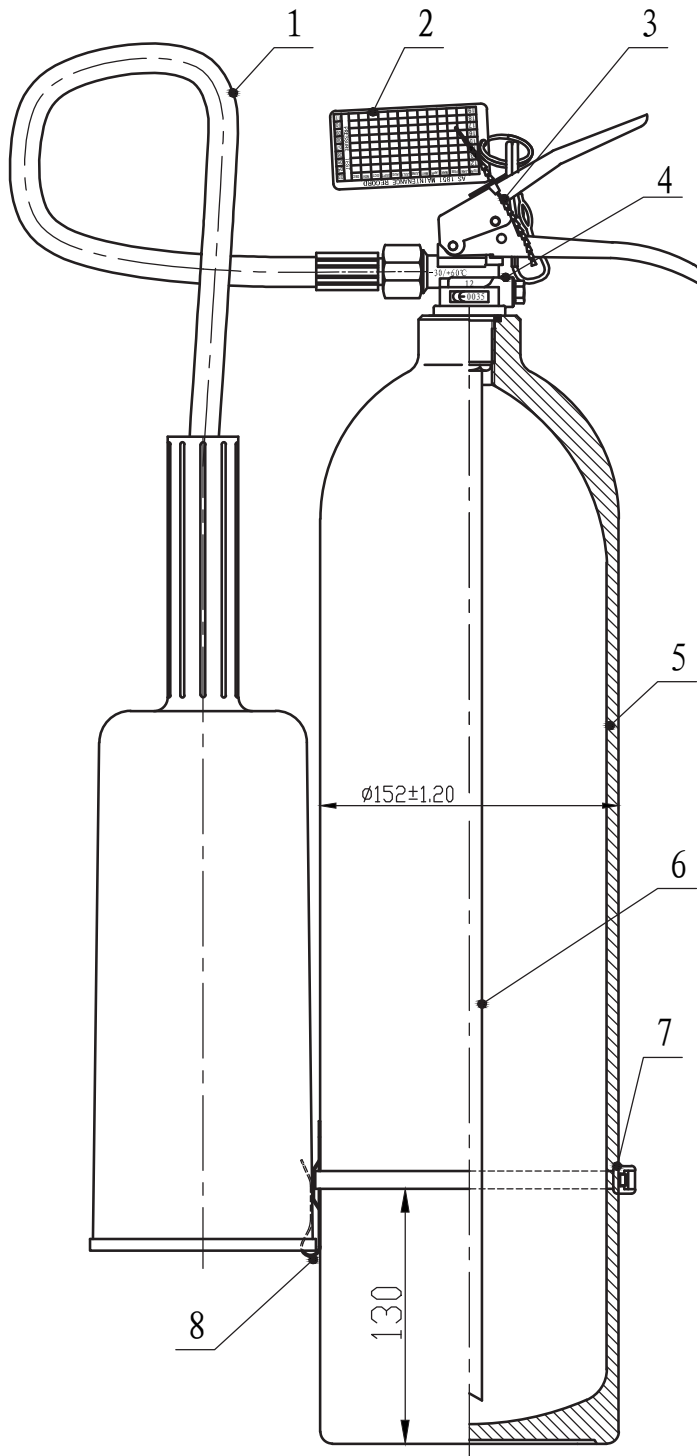
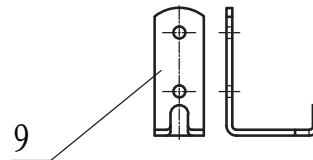


TECHNICAL REQUIREMENTS:

- Design standard:** AS/NZS 1841.6-2007
- Cylinder:** BS5045-8:2000
- Safety disc:** 200bar 210bar
- Fill ratio:** 0.667
- Fill gas:** CO2
- Material:** Aluminium alloy AA6061
- Finish:** Epoxy polyester gloss red RAL3000
- Valve:** Nickel plated brass, SUS304 levers



- 1 Horn Assembly
- 2 Tag
- 3 Tamper Seal
- 4 Valve Assembly
- 5 Cylinder
- 6 Pick-Up Tube (540mm)
- 7 Strap (600mm)
- 8 Safety Pin
- 9 Wall Bracket



www.pslfireandsafety.co.nz

PO Box 69-028 Glendene,
Auckland 0645, NZ
+64 9 818 8048

