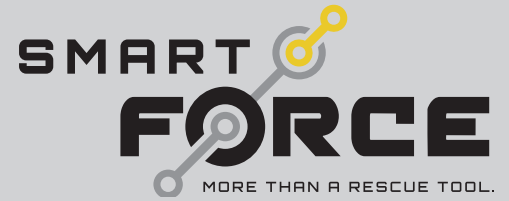


# Spreader SP 44 AS SMART-FORCE

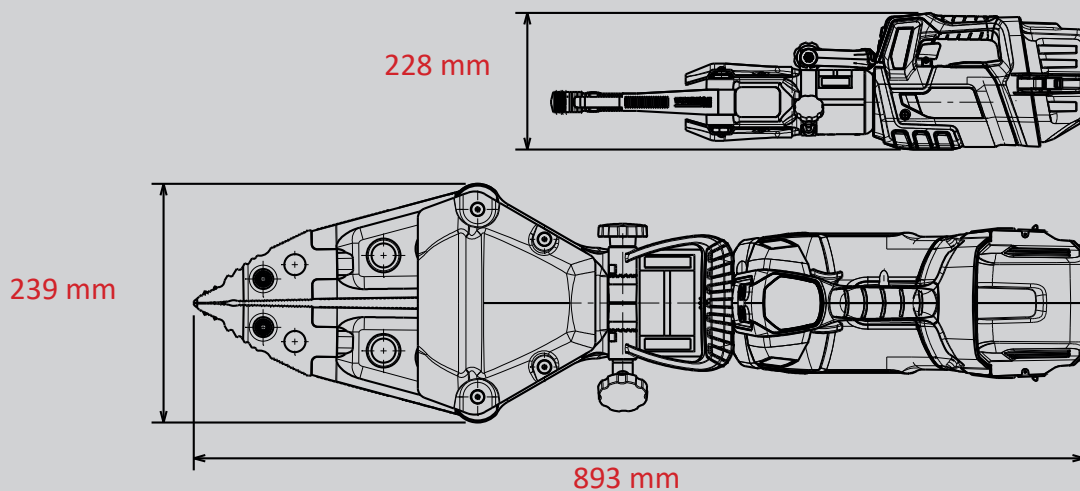
Part no.  
**1101468**



-  18V BATTERY
-  POW3R PUMP
-  CONNECT
-  GRIP
-  360° HANDLE
-  PEELING
-  LED LIGHTS

## Technical data:

Spreading width	610 mm
Spreading force (in the working area)	44 - 857 kN
Max. squeezing force	149,0 kN
Pulling width	465 mm
Max. pulling force	68 kN
Weight (ready to use)	18,2 kg
Dimensions (LxWxH)	893 x 239 x 228 mm
Nominal pressure	700 bar
EN classification (EN 13204)	AS44/610-18,2



**WEBER-HYDRAULIK GMBH**  
Heilbronner Straße 30  
74363 Güglingen, Germany  
Phone +49 7135 71-10270  
info@weber-rescue.com

Emil Weber Platz 1  
4460 Losenstein, Austria  
Phone +43 7255 6237-120

Images are non-binding. We reserve the right to technical modifications.  
2022A, 05/2022